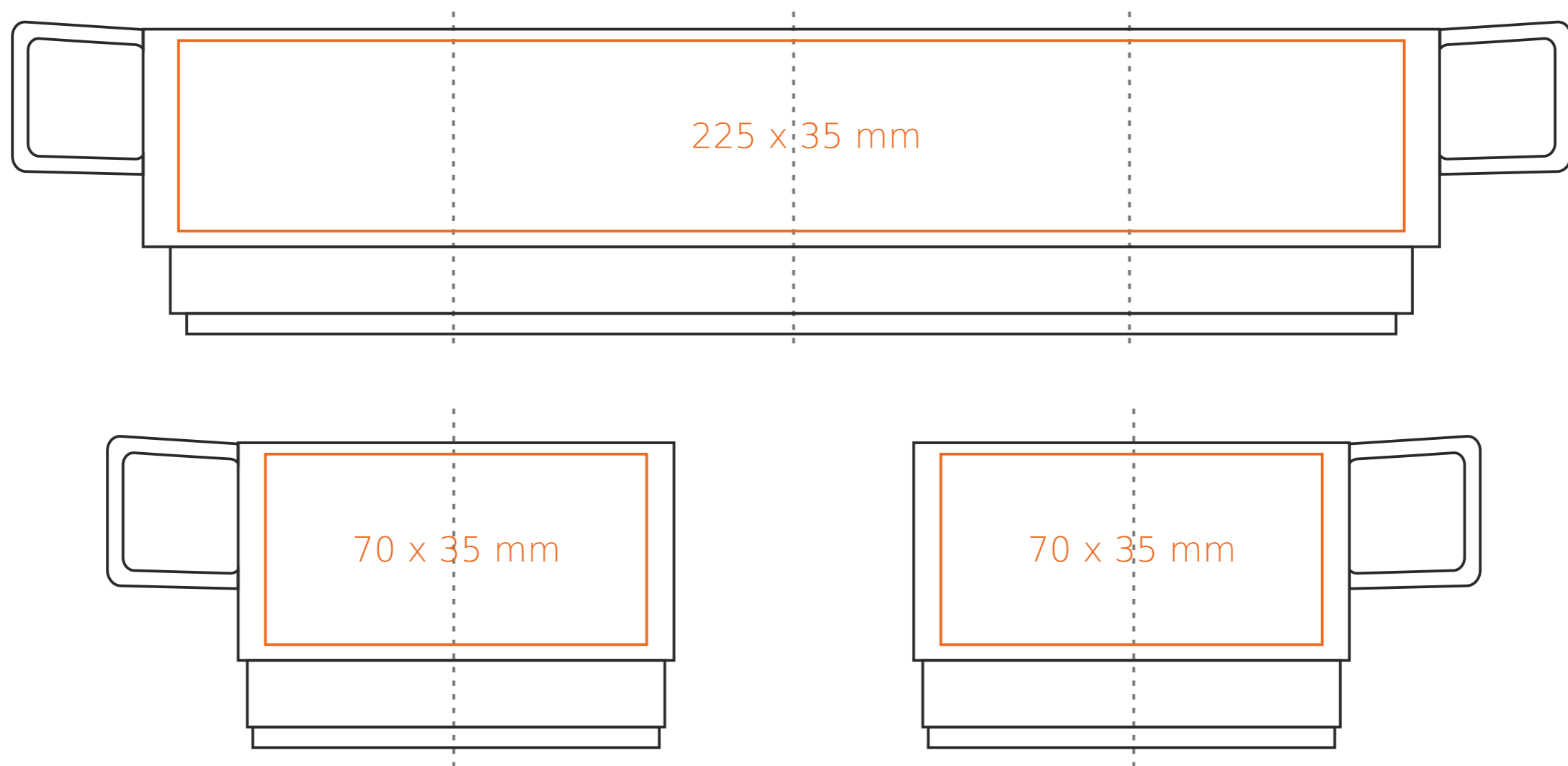
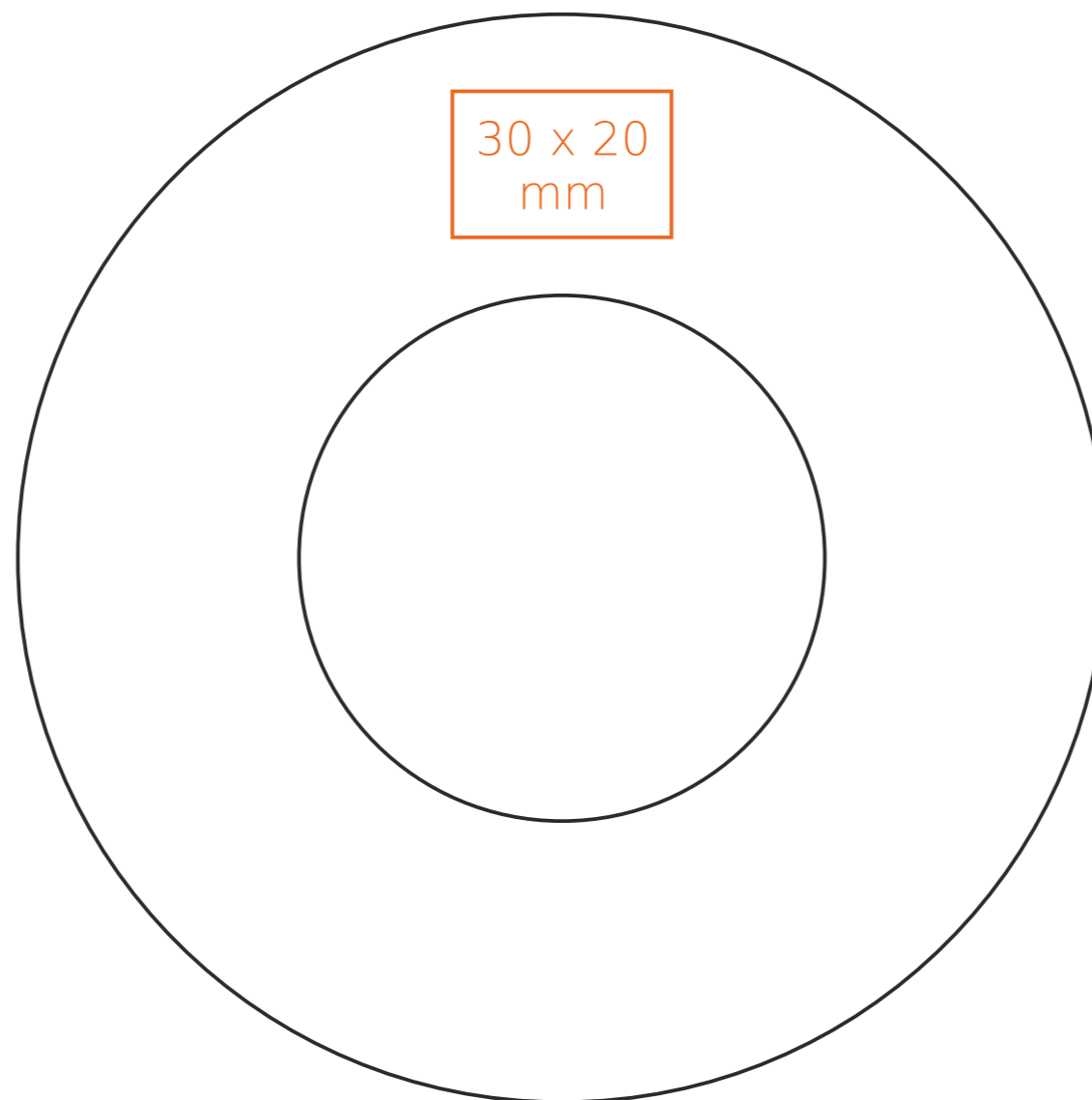


C/225 Space

160 ml / h: 56 mm / Ø 80 mm



saucer Ø 149 mm



- Imprint on the handle - 40 x 8 mm
- Imprint on the inside - 40 x 10 mm
- Imprint on the bottom inside - Ø 40 mm
- Imprint on the bottom outside - Ø 35 mm

*In the case of projects for transfer print running outside of the standard print area, please contact our sales department.

[How to prepare print material](#)

meaning

- Transfer Print
- Sensitive Touch
- Direct Print