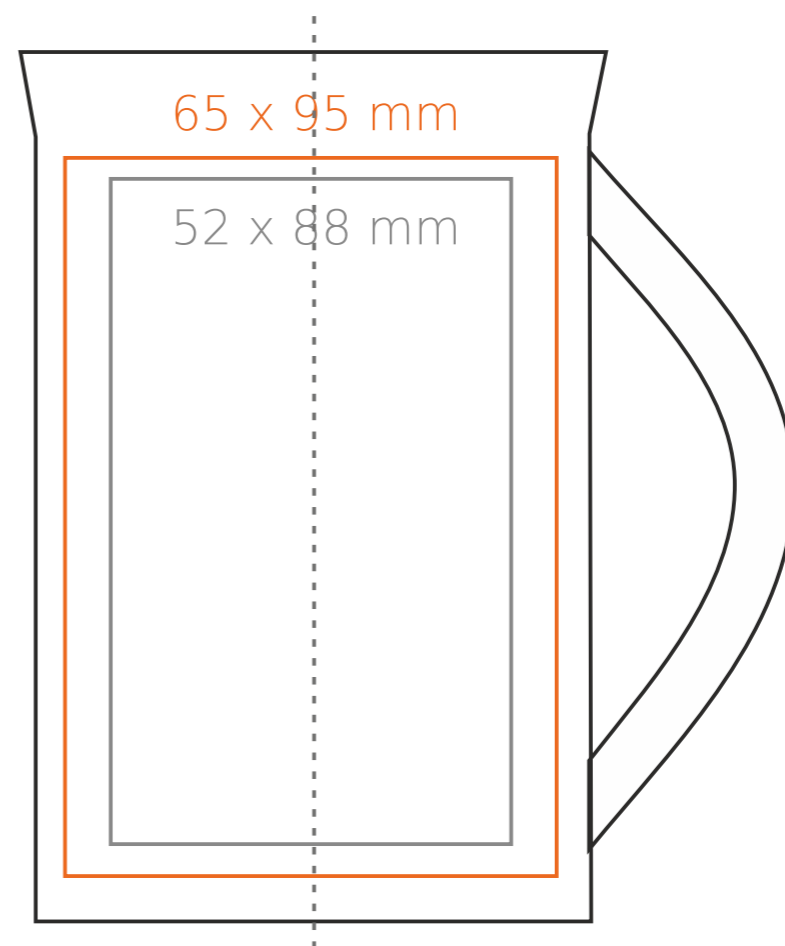
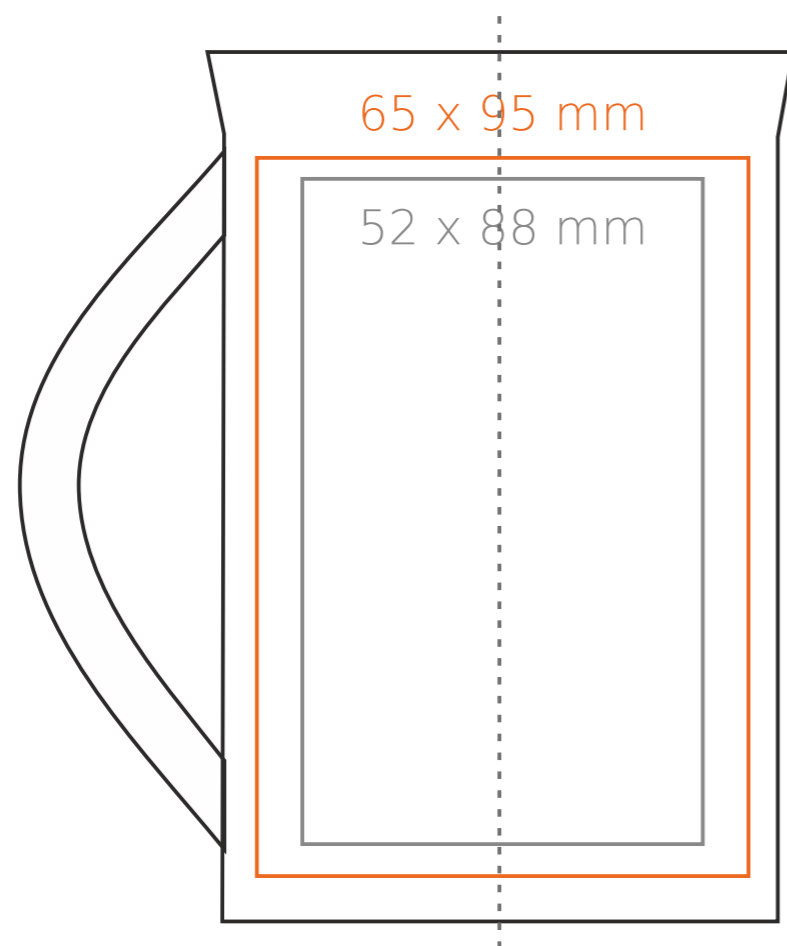
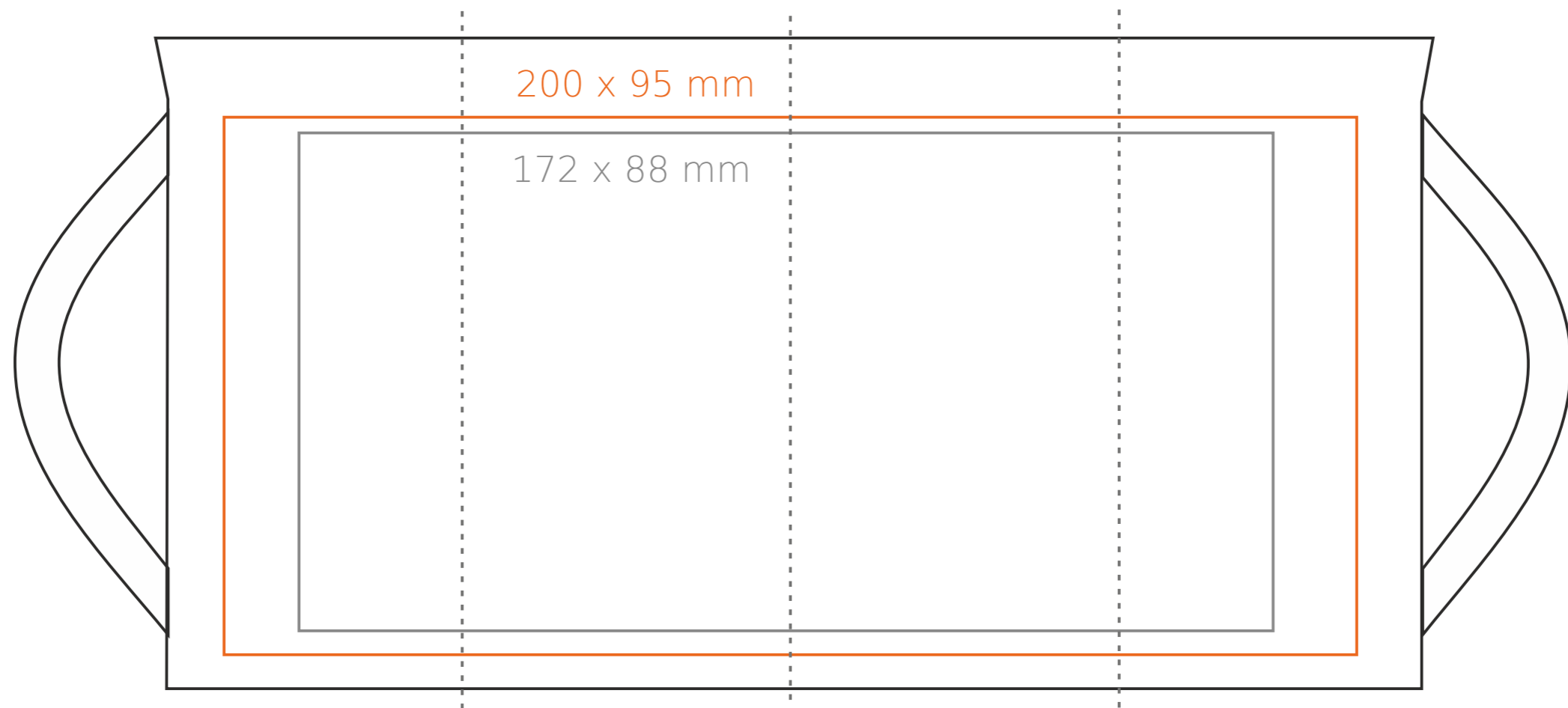


M/045 Norton

300 ml / h: 115 mm / Ø 77 mm



- Imprint on the inside - 40 x 20 mm
- Imprint on the bottom outside - Ø 45 mm

*In the case of projects for transfer print running outside of the standard print area, please contact our sales department.

[How to prepare print material](#)

meaning

- Transfer Print
- Sensitive Touch
- Direct Print